



MINI CATALOG

EQUIPPING THE WORLD TO SAMPLE THE EARTH



Celebrating 80 Years

PHONE: 800.635.7330

ONLINE: www.ams-samplers.com

HEAVY DUTY CARBON SAMPLING EQUIPMENT

BUILD YOUR OWN KIT

PICK THE PRODUCTS YOU NEED.

GAS POWERED REDI BOSS HAMMER W/ 3-1/8" BARREL

Gas Powered REDI Boss Hammer w/ 3-1/8" Barrel includes Friction Fit 2" Reducer Sleeve for 3-1/8" Barrel.

#213.93 | \$2,250.94



GAS-POWERED HAMMER HEAD W/ 20" REMOVABLE CROSS HANDLE, 1-1/4" DIRECT PUSH THREAD



#64332 | \$150.00

CORE CUPS



2" X 12" Solid Soil Core Sampler Cup
#404.54 | \$286.77



2" X 12" Slotted Core Sampler Cup
#404.55 | \$347.00

2' DRIVE EXTENSION, 1-1/4" DIRECT PUSH THREAD



#5005.72 | \$113.40



2" X 12" Split Soil Core Sampler Cup Set
#403.45 | \$348.52

CORE SAMPLER CAPS



2" Soil Core Sampler Cap, 1-1/4" Direct Push Thread
#64331 | \$185.00

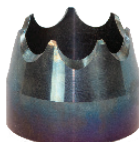


2" Stainless Split Core Cap, 1-1/4" Direct Push Thread
#64330 | \$225.00

This cap fits the Soil Core Sampler Solid Core Barrel and the Slotted Core Sampler Cup

This cap fits the Split Soil Core Sampler Cup Set

CORE TIPS



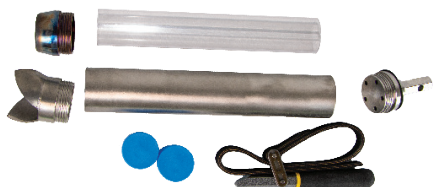
2" Serrated Split Core Tip
#61981 | \$250.29



2" Split Soil Core Sampler Tip
#403.50 | \$223.26

NEW HEX QUICK PIN KITS

MULTI-STAGE SOIL CORE SAMPLER COMPLETE



2" X 12" Multi-Stage Soil Core Sampler Complete, Hex Quick Pin
#58561 | \$715.00

SOIL RECOVERY AUGER COMPLETE



3-1/4" X 10" Soil Recovery Auger Complete, Hex Quick Pin
#58559 | \$523.80

3-1/4" X 10" Stainless Steel Soil Recovery Auger Complete, Hex Quick Pin
#58560 | \$551.88

MINI SOIL AUGER KITS



2-1/4" X 3' Mini Kit, Hex Quick Pin
#58564 | \$978.67

3-1/4" X 3' Mini Kit, Hex Quick Pin
#58565 | \$935.79

SPLIT SOIL CORE SAMPLER



Use Split Soil Core Samplers to easily extract relatively undisturbed soil core samples.

2-1/2" X 12" Split Soil Core Sampler w/Both Tips, Hex Quick Pin
#58562 | \$999.00

MULTI-STAGE SLUDGE & SEDIMENT SAMPLER KIT



We've put it all together! Save money and buy the kit instead of all the pieces separately.

2" Multi-Stage Sludge & Sediment Sampler Kit, Hex Quick Pin
#58570 | \$2,132.88

BULK DENSITY SOIL SAMPLING KIT



This unique sampling kit comes with everything necessary to take accurate interval specific core samples to a depth of 3'.

Bulk Density Soil Sampling Kit w/Slide Hammer, Hex Quick Pin
#58563 | \$2,009.80

HYDRAGO SOIL SENSOR



HydraGO
#70046 | \$1,895.00



MOISTURE



SALINITY
(BULK EC)



GPS



HydraGO FLEX Probe
#70047 | \$745.00



HydraGO FLEX
#70045 | \$2,095.00

HydraGO and HydraGO FLEX represent the most advanced portable soil sensor system. Simply insert the probe into the soil, and tap on the "Sample" button in the HydraGO app. The HydraGO and HydraGO FLEX communicate wirelessly with your smartphone or tablet using Bluetooth.

The HydraGO App works with both HydraGO and HydraGO FLEX and is available for both Android and iOS. The customizable display can show the measurement parameters including; soil moisture content, temperature, conductivity, pore water EC, GPS, and dielectric permittivities on-screen for immediate viewing. The GPS location, date and time of each measurement is recorded along with the soil measurement data. All data can be saved and emailed as a .CSV file for analysis in Excel. Field notes and customizable locations can also be added and exported to the data set.



ONE-PIECE MUD AUGERS



The One-Piece Mud Auger is a great alternative to the cumbersome post hole digger. These are ideal for anyone needing to dig larger diameter holes in wet soils. One-Piece Mud Augers are powder-coated (orange) for rust resistance and come equipped with a 16" Rubber-Gripped Cross Handle.

4" One-Piece Mud Auger
#400.47 | \$189.22

2-3/4" One-Piece Mud Auger
#400.49 | \$189.22

2-1/2" ONE-PIECE OPEN-FACE AUGER



The one-piece design of the Open-Face Auger is all you need to quickly penetrate through combination soils. The open-face design is especially useful for obtaining quick visual profiles and provides for easy soil extraction.

#400.54 | \$243.93

2-3/4" (7 CM) ONE-PIECE COMBINATION EDELMAN AUGER



This one-piece welded construction is capable of augering to a depth of 3'. The design is versatile, lightweight and easy to carry. It requires no assembly in the field and works well in a variety of soil conditions.

#400.50 | \$231.47

ONE-PIECE REGULAR AUGERS



The One-Piece Regular Auger is powder-coated (orange) for rust resistance. The auger comes equipped with a 16" Rubber-Gripped Cross Handle and has a total length of 53".

4" One-Piece Regular Auger
#400.46 | \$183.00

2-3/4" One-Piece Regular Auger
#400.48 | \$183.00

MONTANA SHARP SHOOTERS



The heavy-duty, sharpshooter opens a deep, narrow hole, even in hard, rocky soil. The blade is 18" in length, 5-1/4" in width at top, and tapers to 4-1/4" in width at bottom. The handle is 29" long and is available with rubber coating to reduce recoil from striking rocks. These shovels are made using heavy-duty, heat-treated carbon steel and are coated for rust resistance.

#410.00 | \$191.68
#410.01 | \$201.46

ONE-PIECE SOIL PROFILER



The Soil Profiler lets you collect a replaceable wedge-shaped soil sample to assess moisture content, root structure, pest presence or chemical composition for your grass, greens and turf.

#427.75 | \$222.08

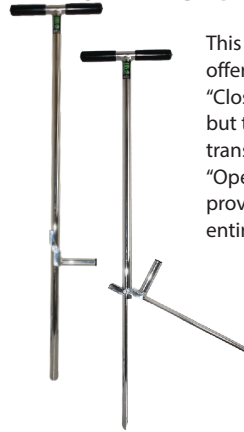
40" POWDER COATED ONE-PIECE STEP PROBE



The Step Probe is the fastest and easiest way to take 12" soil samples from turf, parks, golf courses, or yards. Just apply pressure on the probe by stepping down on the fixed step in order to obtain a 5/8" diameter sample. This probe is completely powder coated which will provide added rust resistance & durability.

#401.422 | \$94.50

ONE-PIECE GATOR PROBE



This one of a kind soil probe offers the benefits of a "Closed End" soil probe, but the hinged jaw quickly transforms the unit into an "Open Ended" soil probe, providing easy access to the entire soil core.

#401.45 | \$226.60

ONE-PIECE & TWO PIECE STEP PROBES



The Step Probe is the fastest and easiest way to take 12" soil samples from turf, parks, golf courses, or yards. Just apply pressure on the probe by stepping down on the fixed step in order to obtain a 5/8" diameter sample.

40" Plated One-Piece Step Probe
#401.42 | \$99.81

33" Plated Step Probe w/
Handle, 5/8" Thread
#401.40 | \$113.07

EZ KLEEN SOIL PROBES



EZ Klean Soil Probes have been designed to facilitate easy soil core extraction. Unlike standard slotted soil probes; the EZ Klean Soil Probe has a specialized heat treated tip designed to reduce friction as the soil enters the probe body.

7/8" X 33" EZ Klean Soil Probe
#401.36 | \$111.82

1-1/8" X 33" EZ Klean Soil Probe
#401.37 | \$152.06

SOIL PROBES W/HANDLE



Regular Soil Probes also include a removable, corrosion-resistant 10" cross-handle with comfortable grips. Regular Soil Probes feature a window slot in the cylinder of the probe for easy sample recovery.

7/8" X 33" Plated Soil Probe w/Handle
#401.01 | \$83.80

7/8" X 21" Plated Soil Probe w/Handle
#401.02 | \$68.68

REPLACEABLE TIP SAND PROBES



The Stainless Steel Replaceable Tip Sand/Loose Sediment Soil Probe is ideal for obtaining unconsolidated soil samples in a 1" X 24" poly liner.

1-1/4" X 24" Replaceable Tip
Sand Probe
#424.37 | \$225.26

1-1/4" X 36" Replaceable Tip
Sand Probe
#424.39 | \$274.99

REPLACEABLE TIP SOIL PROBES



The Replaceable Tip Soil Probe is rugged, durable, and economical. It is made of a heavy 4130 alloy steel, chrome plated, and fitted with a removable, heat treated tip for durability and ease of replacement.

1" X 36" Plated Replaceable Tip Soil Probe w/Handle
#425.50 | \$149.02

1" X 36" Plated Replaceable Tip Soil Probe w/24" Window w/Handle
#425.52 | \$168.14

POWDER COATED PROBES W/HANDLE



Regular Soil Probes feature a window slot in the cylinder of the probe for easy sample recovery. These probes are used without a liner and are available in two different lengths (21" or 33"). Regular Soil Probes also include a removable, Powder Coated 10" Cross-Handle with comfortable grips.

7/8" X 33" Powder Coated Soil Probe w/ Handle, 5/8" Thread
#401.012 | \$78.30

7/8" X 21" Powder Coated Soil Probe w/ Handle, 5/8" Thread
#401.022 | \$63.18

EZ EJECT SOIL PROBES



This unique Soil Probe ejects soil samples quickly & efficiently. Each probe has its own internal piston with side handle. This built-in hand plunger allows you to eject the entire soil sample from the slot and even through the tip of the probe.

7/8" X 33" EZ Eject Soil Probe
#401.38 | \$191.13

1-1/8" X 33" EZ Eject Soil Probe
#401.39 | \$232.37

REPLACEABLE TIP HAMMER HEAD KITS



The Hammer-Head Soil Probe Kit features a 16" L hammer-head cross handle which can be hammered on with the (included) impact absorbing dead blow hammer. No need to lug around a heavy slide hammer anymore!

7/8" X 33" Plated Soil Probe Hammer Head Kit
#401.075 | \$255.14

1" X 36" Replaceable Tip Hammer Head Kit
#425.501 | \$286.48

SPLIT SOIL CORE SAMPLERS W/ CORE TIP

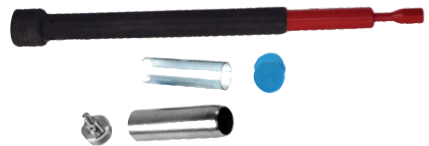


Use the Split Soil Core Samplers to easily extract relatively undisturbed soil core samples.

2" X 6" Split Soil Core Sampler w/ Core Tip, 5/8" Thread
#403.40 | \$649.86

2" X 12" Split Soil Core Sampler w/ Core Tip, 5/8" Thread
#403.41 | \$698.92

SOIL CORE SAMPLERS COMPLETE



All of these quality soil core sampling tools allow the user to collect soil core samples into removable liners.

2" X 6" Soil Core Sampler Complete, 5/8" Thread
#404.05 | \$420.82

2" X 6" Stainless Steel Soil Core Sampler Complete, 5/8" Thread
#404.63 | \$498.91

SOIL EJECTORS SCOOPS



The heads of these ejectors fit inside of the slots in 7/8" and 1-1/8" soil probes to help remove soil from their bodies. The reverse side of the ejector is designed to remove the remaining soil from the tip of the soil probe.

7/8" Soil Ejector Spoon
#56760 | \$31.50

1-1/8" Soil Ejector Spoon
#56761 | \$31.50

SOIL EJECTORS



Soil ejectors snap inside the slot of the probe and slide up as the sample enters. They are then pushed down to remove the sample from the probe. They are meant to remain inside the probe for subsequent use.

21" Soil Ejector for 7/8" Soil Probe
#402.01 | \$40.90

33" Soil Ejector for 7/8" Soil Probe
#402.02 | \$42.03

SOIL PLUNGERS



Plungers help remove stuck liners from soil recovery probes.

7/8" Plunger for Soil Recovery Probe
#402.21 | \$44.98

1-1/8" Plunger for Soil Recovery Probe
#402.22 | \$50.99

SOIL PROBE LINERS & END CAPS



3/4" X 12" Plastic Liner
#425.07 | \$1.78

3/4" X 24" Plastic Liner
#425.09 | \$2.45

1" X 12" Plastic Liner
#425.02 | \$2.00

1" X 24" Plastic Liner
#425.04 | \$3.00



3/4" Plastic End Cap
#425.22 | \$0.44

1" Plastic End Cap
#425.18 | \$0.44

HAMMER-HEAD CROSS HANDLE



The lightweight Hammer-Head Cross Handle allows the user to push or hammer the attached soil probe into the ground. By hammering the head of the cross handle with an all-purpose, impact-absorbing Dead Blow Hammer, the user can penetrate harder soils than by manually pushing on the probe.

12" Hammer Head Cross Handle, 5/8" Thread
#401.27 | \$109.79

Dead Blow Hammer 37oz
#11677 | \$42.27

SLIDE HAMMERS



They offer a simple method for soil penetration by allowing the user to push or drop the hammer weight down the slide rod to apply force through the extension to the sampler. Slide Hammers also assist in sample retrieval by allowing the user to back hammer to provide upward force.

Compact Slide Hammer,
5/8" Thread
#400.96 | \$194.23

Regular Slide Hammer,
5/8" Thread
#400.99 | \$199.23

MINI SOIL AUGER KITS



3-1/4" X 3' Mini Kit, 5/8" Thread
#209.71 | \$717.83

3-1/4" X 3' Mini Kit, Signature Series
#352.73 | \$820.24



3-1/4" X 3' Mini Kit, Quick Connect
#209.76 | \$918.29

3-1/4" X 3' Mini Kit, Hex Quick Pin
#58565 | \$935.79

MINI SOIL PROBE KITS



Model 4 shown

Small compact solution for your soil sampling needs. All of the components in these kits are interchangeable and tips are replaceable.

Mini Soil Probe Kit Model 1
#56977 | \$370.83

Mini Soil Probe Kit Model 2
#56978 | \$204.28

Mini Spiral Auger Kit Model 3
#56979 | \$305.91

Mini Soil Probe Kit Model 4
#56976 | \$246.20

TELESCOPING AUGER KITS



Compact Telescoping Soil Augers have an internal extension that allows you to extend this 4' sampler to 8' with the simple push of a pin.

3-1/4" Regular Auger Kit, Telescoping
#301.66 | \$330.05

3-1/4" Mud Auger Kit, Telescoping
#301.78 | \$368.32

3-1/4" Sand Auger Kit, Telescoping
#301.90 | \$362.98

REGULAR SOIL AUGER FIELD KITS



Save money with these no fuss kits. The 3-1/4" Regular Soil Auger Field Kits are ideal because of their simplicity.

3-1/4" Pro Series Regular Soil Auger Field Kit, 3/4" Thread
#400.143 | \$336.72

3-1/4" Regular Soil Auger Field Kit, Signature Series
#400.141 | \$277.70

3-1/4" Regular Soil Auger Field Kit, Quick Connect
#400.142 | \$325.49

3-1/4" Regular Soil Auger Field Kit, 5/8" Thread
#400.14 | \$242.06

SPLIT & SOIL CORE SAMPLING KITS



Split Soil Core Sampling Kits provide everything you need to auger to 12' and collect a virtually undisturbed soil core sample into the split-core sampler body or into a liner.

3-1/4" X 3' Stainless Steel Split Soil Core Sampling Kit, 5/8" Thread
#209.05 | \$1,620.99

3-1/4" X 3' Soil Core Sampling Kit, 5/8" Thread
#209.07 | \$1,116.52

MULTI-STAGE SLUDGE & SEDIMENT SAMPLER KIT



We've put it all together! Save money and buy the kit instead of all the pieces separately.

#209.41 | \$2,007.88

ALUMINUM TANK SAMPLING KIT



Easily collect sludge samples from the bottom of petroleum tanks with this unique & user friendly sampling kit. Made from lightweight aluminum.

#58990 | \$2,089.54

SOIL FERTILITY KITS

The Agronomists' best friend! Soil Fertility Kits include everything you need for cutting and drawing samples from a variety of soil conditions.



#424.33 shown

1" Soil Fertility Kit w/
Compact Slide Hammer,
5/8" Thread
#424.36 | \$812.59

1-1/4" Soil Fertility Kit w/
Compact Slide Hammer,
5/8" Thread
#424.34 | \$884.08

1" Soil Fertility Kit w/
Hammer Head Cross
Handle, 5/8" Thread
#424.35 | \$775.20

1-1/4" Soil Fertility Kit
w/ Hammer Head Cross
Handle, 5/8" Thread
#424.33 | \$842.73

PROFESSIONAL SERIES SOIL SAMPLING KITS, 3/4" THREAD



#402.24 shown

3-1/4" Professional Series Soil
Sampling Kit, 3/4" Thread
#402.24 | \$2,226.02

2-1/4" Professional Series Soil
Sampling Kit, 3/4" Thread
#402.23 | \$2,245.05

Professional Series augers have been beefed up from bit to bale. They feature the trusted 3/4" threaded connection and have thicker (11 gauge) cutting teeth with stronger welds and extra tungsten carbide hard surfacing. They are also reinforced with extra gussets that are welded at both the top and bottom of the bail. These gussets help prevent the bail from bending or twisting when augering into hard or rocky soils, or when the augered hole is exceptionally deep.

BULK DENSITY SOIL SAMPLING KIT W/COMPACTED SLIDE HAMMER



This unique sampling kit comes with everything necessary to take accurate interval specific core samples to a depth of 3'.

#400.84 | \$1,859.80

FROZEN SOIL POWERED AUGER KIT

The Frozen Soil Powered Auger Kit is designed to core through those dreaded frozen soil conditions. The Core Barrel Auger is equipped with carbide cutting teeth that are specifically designed to chew through tough, frozen soil, and pull relatively undisturbed cores inside the barrel.



#206.10 | \$983.13

FIBERGLASS AUGER KITS



#209.27 Shown

The Deluxe Fiberglass Auger Kit provides some protection against possible electric shock when working in areas where buried electric cables may be present.

3-1/4" Deluxe Fiberglass Auger Kit,
Signature Series
#209.27 | \$876.57

3-1/4" Fiberglass Auger Kit,
Signature Series
#402.99 | \$382.67

COMPACTED SOIL SAMPLER

The Compacted Soil Sampler works great for obtaining "composite" soil samples in hard compacted and frozen soils.



Compacted Soil Sampler
#58080 | \$305.91

ECHO EDR-260 (Reversible Drill)
#213.86 | \$655.43

1-1/16" X 33" w/ 7/16" Hex
Shank Flighted Auger w/
Carbide Tip
#214.46 | \$214.30



HOLLOWSTEM FLIGHTED AUGER KITS



#209.22 shown

The portable Hollowstem Flighted Auger Kit provides the tools needed to reach a 6' depth. Prevent cross contamination with a cased access hole.

3" Hollowstem Flighted Auger Kit w/ Drill,
5/8" Thread
#409.80 | \$2,999.36

3" Hollowstem Flighted Auger Kit w/ No Drill,
5/8" Thread
#209.22 | \$1,607.20

FLIGHTED AUGER KITS

Quickly drill access holes with Flighted Auger Kits. The 2" Flighted Auger Kit is equipped to drill access holes up to 9' deep.



#209.61 shown

2" Flighted Auger Kit w/ Drill, 5/8" Thread
#209.61 | \$3,515.63

2" Flighted Auger Kit w/ No Drill, 5/8" Thread
#209.10 | \$2,077.52

SHAW PORTABLE CORE DRILL – BACKPACK DRILL ROCK CORING KIT



The Shaw Portable Core Drill is a nearly ideal tool for environmental and geotechnical field investigation because it can be used in otherwise difficult to access locations behind buildings, fences, walls, trees, escarpments, and much more. The diamond core bits of the system are easily capable of advancing borings through a large array of subsurface materials including steel reinforced concrete, hard rock, and some kinds of cemented gravels. Its loose materials bit can be used to make stable, open borings with the use of bentonite clay in flowing sand and very loose gravel, and in clay with the use of surfactants mixed in drilling fluid. Soil sampling of the highest quality can be done with the cartridge and breech type of Shaw soil sampler. Bayonet couplings make loading and unloading of the sampler very easy. Stainless steel components resist rust and are easily decontaminated for high quality sampling. Shaw offers high quality capped clear plastic liners for preserving and core boxes for storage of soil or rock samples.

#21242 | \$4,698.00

FLIGHTED AUGER KITS, HEX QUICK PIN

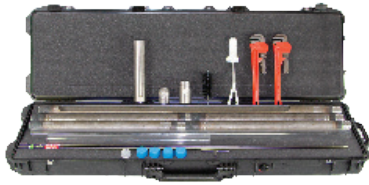


#209.11 shown

This kit allows users to quickly achieve depths of 9' using the recommended rotary hammer drill. The male/female hex fittings of the Hex Quick Pin connections make adding and disconnecting flighted extensions easier than ever before, and they allow for reverse augering! Hex Quick Pin connections also prevent the flighted sections from binding or locking up while augering.

2" Flighted Auger Kit w/ No Drill,
Hex Quick Pin
#209.11 | \$2,133.00

2" Flighted Auger Kit w/ Drill,
Hex Quick Pin
#209.12 | \$3,864.24



GAS POWERED CORE SAMPLING KIT

The Gas Powered Core Sampling Kit with the Gas Powered REDI Boss Hammer is ideal for obtaining core samples to a depth of 8'.

#360.01 | \$4,124.25



JackJaw® 534 (1-3/4" to 2-1/4")

#24389 | \$842.40

RUSSIAN SEDIMENT/PEAT BORER COMPLETE KIT

Put on your waders and get out there. This kit provides you with everything needed to gather sediment samples in shallow water.

#25030 | \$1,849.00



REPLACEABLE TIP SOIL PROBES, HEX QUICK PIN

The only soil probe that features the Hex Quick Pin connection. Hex Quick Pin is a hardened steel male/female hex connection that accepts standard 3/8" snapper pins or heat-treated 3/8" U-clips. It is stronger and faster than standard threaded connections. This probe easily connects to any of the variations shown below.

Gas Hammer Option (12" window)
#427.32 | \$2,533.72

Hammer Drill Option (12" window)
#427.30 | \$2,052.20

Manual Option (12" window)
#427.34 | \$398.59

Gas Hammer Option (24" window)
#427.33 | \$2,549.59

Hammer Drill Option (24" window)
#427.31 | \$2,068.80

Manual Option (24" window)
#427.35 | \$413.88

Gas Hammer Option



Hammer Drill Option



Manual Option



Assembled adapter

Assembled

Only one probe is include in each kit.

Email: ams@ams-samplers.com | Web: www.ams-samplers.com

12

BASIC SOIL SAMPLING KITS



#206.20 shown

Basic Soil Sampling Kits provide everything you'll need to auger to a target depth as deep as 12' and obtain a relatively undisturbed soil core sample. The kits are used worldwide by soil scientists, agronomists, and construction companies for site investigations.

2-1/4" Basic Soil Sampling Kit,
Signature Series
#352.53 | \$1,843.36

3-1/4" Basic Soil Sampling Kit,
Signature Series
#352.51 | \$1,774.32

2-1/4" Basic Soil Sampling Kit,
5/8" Thread
#209.53 | \$1,644.68

3-1/4" Basic Soil Sampling Kit,
5/8" Thread
#209.51 | \$1,597.07

2-1/4" Basic Soil Sampling Kit,
Hex Quick Pin
#206.211 | \$2,137.00

3-1/4" Basic Soil Sampling Kit,
Hex Quick Pin
#206.20 | \$1,906.43

ENVIRONMENTAL SOIL SAMPLING KITS, 5/8" THREAD



#209.57 shown

These kits are used for sampling in soils where there is potential for contamination below the ground surface. They use stainless steel components that allow for easy decontamination.

2-1/4" Deluxe Environmental
Soil Sampling Kit, 5/8" Thread
#209.58 | \$2,567.75

2-1/4" Environmental Soil
Sampling Kit, 5/8" Thread
#209.57 | \$2,286.43

3-1/4" Deluxe Environmental
Soil Sampling Kit, 5/8" Thread
#209.56 | \$2,614.25

3-1/4" Environmental Soil
Sampling Kit, 5/8" Thread
#209.55 | \$2,396.55

SOIL CLASSIFICATION KIT, SIGNATURE SERIES



The Signature Series Soil Classification Kit was built with operator comfort and efficiency in mind.

The Signature Series thread pattern allows for quick and easy connection/disconnection with 2-1/2" turns to connect. This kit was assembled for insitu soil investigations to depths of 12'. One handy tool that is included is our Extendible Tile Probe which is crucial for locating underground obstructions.

#424.38 | \$2,487.73



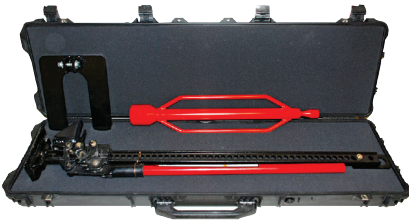
SURE-LOCK SOIL PROBE KIT

Save your back with the Sure-Lock soil probe handle. Take samples up to 36" deep. Hand-crafted from 1018 steel that has been gold-zinc plated for added rust resistance. The handle height stays at the same level the entire time you're sampling which eliminates back strain. The hand-activated lever allows you to adjust the length of your extension rod. The Sure-Lock system eliminates the possibility of slippage unlike any other foot-pedal operated systems on the market. Choose from three different soil probe models or get them all in the complete sampling kit.

#426.27 | \$988.90



STAINLESS STEEL PIEZOMETER GROUNDWATER SAMPLING KIT



This complete kit includes everything needed to take groundwater measurements and collect samples to a depth of 12' below ground surface.

#209.20 | \$2,744.18

2" PRO SERIES MULTI-STAGE SLUDGE & SEDIMENT SAMPLER KIT, 3/4" THREAD



This sampling kit provides all of the components needed to collect sludge and sediment samples up to 4' in length. It was designed for soil sampling professionals who want the strongest, most durable connection on their extensions, cross handle, slide hammer, and sampler cap.

#209.42 | \$2,311.57

GAS VAPOR PROBE KIT W/ DEDICATED TIPS & RETRACT-A-TIP W/ SDS MAX COMBINATION HAMMER DRILL



Excellent for monitoring and sampling hydrocarbon spill sites, underground storage tanks and pipelines.

#209.86 | \$4,302.65

GAS VAPOR PROBE KIT W/DEDICATED TIPS AND RETRACT-A-TIP W/O DRILL



Excellent for monitoring and sampling hydrocarbon spill sites, underground storage tanks and pipelines.

#209.16 | \$2,935.85

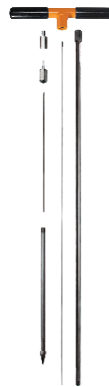
SUB-SLAB GAS VAPOR PROBE INSTALLATION KIT



Sample for volatile organic and inorganic compounds from beneath floor slabs. Sub-slab sampling and routine monitoring has become an integral part of vapor intrusion investigations. The Sub-Slab Gas Vapor Probe Kit provides a semi-permanent probe, designed to allow repeated sampling over time in order to assess the potential of contaminated vapor intrusion from beneath buildings.

#52956 | \$1,573.04

ORIGINAL GAS VAPOR PROBE KIT



Easily and economically sample soil gas vapors at shallow depths for preliminary testing. The Original Gas Vapor Probe can take vapor samples in soils to depths of 12' depending on soil conditions. This kit is an excellent choice for shallow gas vapor sampling in soft soil.

#427.01 | \$403.80

REPLACEMENT PARTS



Gas Vapor Probe 6" Implant Drive Kit
#55467 | \$165.86



Gas Vapor Probe 6" Stainless Steel Implant, Stepped Fitting
#21010 | \$36.16



Dedicated Stainless Steel Vapor Point
#55466 | \$10.46



5/8" National Fine Gas Vapor Probe 6" Implant Tip Drive End
#55463 | \$126.48

15 LB. STAINLESS STEEL BOTTOM DREDGE



Easily sample most types of bottom surfaces. Constructed from stainless steel and powder-coated carbon steel for corrosion resistance.

#445.10 | \$522.38

25 LB. STAINLESS STEEL BOTTOM DREDGE



Easily sample most types of bottom surfaces. The top of the sampling chamber is screened to allow water flow during deployment and reducing the frontal shock wave that may displace sediment as the dredge contacts the sample surface.

#445.60 | \$715.61

STAINLESS STEEL BAILERS



Collect composite samples from 2" wells and boreholes. Bailers feature a tubular stainless steel body with a loop bail and flouropolymer check ball on all models except for model #2100.36, which is a top fill model.

1-3/4" X 3' Tapered Top Stainless
Bottom Fill Steel Bailer
#451.00 | \$168.53

1-3/4" X 3' Stainless Steel Top
Fill Bailer
#2100.39 | \$228.00

GOUGE AUGERS



Designed for sampling wet clay and peat! Great for collection of undisturbed soil samples from very soft and preferably very wet soils with minimal disturbance of soft cohesive layers. The Gouge Auger requires attachment to a cross handle or slide hammer for use.

1-1/4" X 40" Gouge Auger,
5/8" Thread
#54545 | \$312.81

2-1/2" X 40" Stainless Steel
Gouge Auger, 5/8" Thread
#53764 | \$494.57

EKMAN DREDGE



This is used for sampling benthic communities inhabiting soft bottomed aquatic environments.

#445.11 | \$605.15

WATER LEVEL METERS



Water Level Meters provide reliable and accurate measurements of groundwater levels.

Water Level Meter w/ 5/8"
Probe & 100' Tape
#3012.66 | \$643.52

Water Level Meter w/ 5/8"
Probe & 300' Tape
#3012.68 | \$935.42

STATIC CONE PENETROMETER COMPLETE



Evaluate the consistency, compaction and bearing of fine grained, soft soils. The static cone penetrometer is used to evaluate the consistency of soils, their level of compaction and the bearing capacity of shallow foundations and pavement subgrades.

#59010 | \$789.25

DYNAMIC CONE PENETROMETER COMPLETE



The most widely accepted, portable method for evaluating strength and density of soil, in situ.

#59000 | \$789.25

POCKET PENETROMETER



The pocket penetrometer provides accurate measurements of the compressive soil strength.

Pocket Penetrometer
#59032 | \$63.18

Adapter Foot for E-280
Pocket Penetrometer
#59031 | \$23.36

FIELD VANE SHEAR TESTER COMPLETE



Take direct readings of shear strength to depths up to 10' (3 meters) in soft to stiff clays. Three (3) vane sizes allow for the direct determination of un-drained shear strength of soft to stiff clays.

#59020 | \$1,546.79

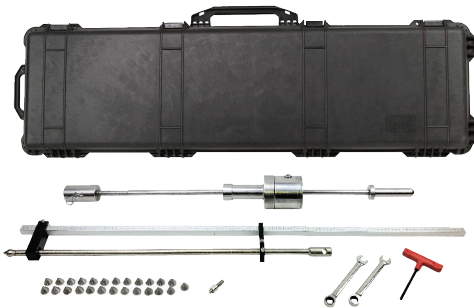
BOREHOLE PREPARATION KIT



Improve effectiveness of geotechnical testing and sampling with a pre-bored hole.

#400.78 | \$632.84

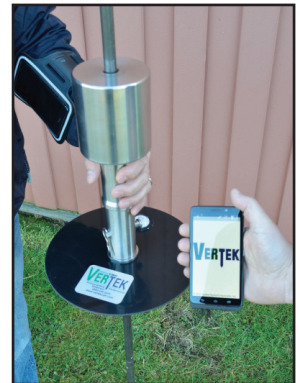
DUAL MASS DCP WITH VERTEK SMART DCP COMPLETE



Developed by the Army Corps of Engineers, Dynamic Cone Penetrometers (DCPs) provide a low-cost, efficient test method for quickly determining in-situ CBR values of pavement base, subbase and subgrades. They can readily be used for depths up to 30" and up to 6' with optional drive rods and extensions.

Dual Mass DCP w/ Vertek Smart
DCP (complete)
#299.00 | \$3,996.00

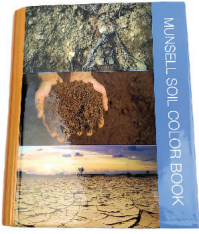
Dual Mass Dynamic Cone
Penetrometer (only)
#300.00 | \$2,041.25



VERTEK SMART (DCP)

Vertek Smart (DCP) (only)
#300.01 | \$2,002.32

MUNSELL SOIL BINDER W/ CHART

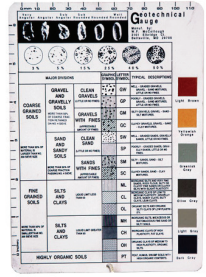


#504.00 | \$250.00

The book is organized to make it faster and easier for you to identify and communicate the color of soil in the field. Soil color indicates the makeup of the soil within a given geographic area, which can influence the land's fitness for use, such as wetlands, optimum crops to plant, viability for wastewater systems, and other uses.

MCCULLOUGH GEO GUIDE CARD AND GEOTECHNICAL GAUGE

This card provides classification information on a flexible, waterproof plastic card with lanyard. It includes soil type samples, classification by type, grain size, and color. It features six common Munsell® soil colors, Unified Soil Classification System (USCS), soil compaction tests for clay and sand, and size classification chart with actual sand grains from coarse to silt.



#504.20 | \$21.69

SAFETY LINER SPLITTER



The Safety Liner Splitter allows you to split liners up to 13-3/4" in length. This adjustable liner splitter accepts liner diameters as small as 3/4" outer diameter all the way up to 3" outer diameter. Each liner splitter comes with a safety utility knife with spring-loaded retractable blade and (10) extra hook blades. This device offers a safe alternative for splitting liners open lengthwise in the field.

#61701 | \$220.94

SCOOPS



#2 Stainless Steel Scoop w/ Rubber Grip
#427.82 | \$33.21



#3 Stainless Steel Scoop w/ Rubber Grip
#427.83 | \$33.21

#12 Stainless Steel Scoop w/ Rubber Grip
#427.86 | \$37.94



#3 Stainless Steel Scoop
#428.03 | \$30.65



#6 Stainless Steel Scoop
#428.04 | \$30.65

Idaho Spoon
#55647 | \$30.92

CASES

These tough, convenient cases are perfect for storing and transporting your valuable sampling equipment. Flexible poly-canvas cases are available in a variety of sizes and with various pocket options. Rugged, hard-sided cases with foam padding are available in two sizes. The deluxe case is used with most kits.

#430.01 shown



3' Poly-Canvas Core Sampling Case
#430.00 | \$117.02

4' Poly-Canvas Case
#430.04 | \$115.91

4' Deluxe Carrying Case 1750
#430.01 | \$322.38

3' Poly-Canvas Case
#430.02 | \$110.24

3' Deluxe Carrying Case 1700
#430.25 | \$260.24



#430.02 shown

ECHO EDR-260 (REVERSIBLE DRILL)



Lightweight, 2-cycle gas-powered drills make drilling boreholes a cinch. They combine the convenience of a cordless drill with the features of a heavy-duty drill. The EDR-260 model has a 1/2" chuck.

#213.86 | \$655.43

ECHO EA-410 DRILL



Lightweight, 2-cycle gas-powered drills make drilling boreholes a cinch. They combine the convenience of a cordless drill with the features of a heavy-duty drill. The EA-410 model uses an EA-410 adapter.

#213.83 | \$857.99

DEWALT D25773K – 2" SDS MAX COMBINATION HAMMER DRILL (15 AMPS)



These drills offer a lot of power for heavy-duty applications. Rotary hammer drills can be used to penetrate asphalt and concrete and have both rotary and hammering capabilities.

#213.94 | \$1,727.99

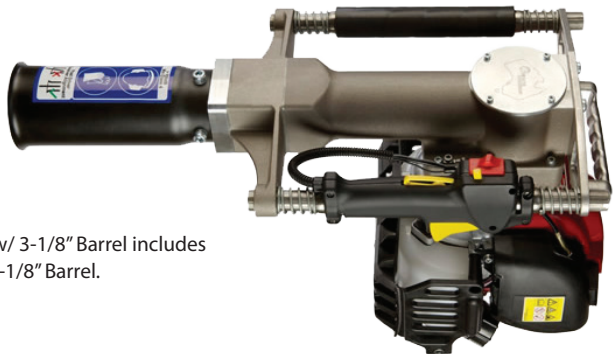
DEWALT 60V 1-9/16" SDS MAX COMBINATION DRILL



These drills offer a lot of power for heavy-duty applications. Rotary hammer drills can be used to penetrate asphalt and concrete and have both rotary and hammering capabilities.

#213.98 | \$1,119.72

GAS POWERED REDI BOSS HAMMER W/ 3-1/8" BARREL



Gas Powered REDI Boss Hammer w/ 3-1/8" Barrel includes Friction Fit 2" Reducer Sleeve for 3-1/8" Barrel.

#213.93 | \$2,250.94

Well Management Systems

AMS-7000

- Ideal for 4" or Larger Wells 500ft+ Depth
- Unique AMS Design w/ Pump Wire Ran Inside Hose
- Ideal for Groundwater Sustainability Projects
- Used for Purging, Well Development & Sampling
- Handheld Pendant Controls

AMS-3500

- Ideal for 3" or Larger Wells up to 500ft depth
- Powered by 6,500w Single Phase Onboard Generator
- Used for Purging, Well Development & Sampling
- Unique AMS Design w/ Pump Wire Ran Inside Hose
- Handheld Pendant Controls

PORT-A-REEL

- 2" Pump for Use Up to 280ft Depth
- Used for Purging, Well Development & Sampling
- Available in Environmental & Standard Configurations
- Portable for use in Tight Locations
- Manual or Hydraulic Spool Operation





PowerProbe™ 9580-VTR

The 9580-VTR PowerProbe™ is a multi-purpose Direct Push machine with additional capability for continuous flight, hollowstem augering, SPT/CPT, high-speed rock coring to tackle any environmental, geotechnical, and exploration jobsite.



PowerProbe™ 9520-VTR

The 9520-VTR PowerProbe™ is a versatile mid-sized Direct Push/Auger machine that will provide the needed capability for all environmental, geotechnical, exploration, soil gas, and remedial injection applications.





PowerProbe™ 9110-Ag Probe

The 9110 Ag-Probe is designed for shallow soil sampling to collect continuous 3'–5' soil core samples to composite micronutrient sampling programs in a wide range of agricultural applications. Available to mount in most standard 1/2 ton truck beds and UTV's.



PowerProbe™ 9120-RAP

The 9120-RAP PowerProbe™ is a compact, self-contained, Direct Push sampling system that is ideal for continuous soil sampling to depths of 20' or more, depending on soil conditions.

***If you don't see the model you want, call us to see what else we have to offer!**

**Open Online 24/7
Support:**

**Monday-Thursday 7am-5pm MST
Friday 8am-3pm MST**

Hand Sampling Sales and Support

Hari Anestos

Global Accounts Manager &
Technical Support
Office: 800-635-7330 ext. 124
Cell: 208-406-6109
hari@ams-samplers.com

Brehn Chipps

Sales & Technical Support
Office: 800-635-7330 ext. 125
Cell: 208-406-2070
brehn@ams-samplers.com

PowerProbe™ Sales and Support

Ryan Anderson

Western US & Canada
PowerProbe™ Sales & Support
Office: 800-635-7330 ext. 143
Cell: 208-406-9341
ryana@ams-samplers.com

Ken Lipscomb

Eastern US & International
PowerProbe™ Sales & Support
Office: 800-635-7330 ext. 160
Cell: 706-680-9015
kenl@ams-samplers.com



Equipping the World to Sample the Earth